

## GSK-T-ZA Torque Hinge With Cover

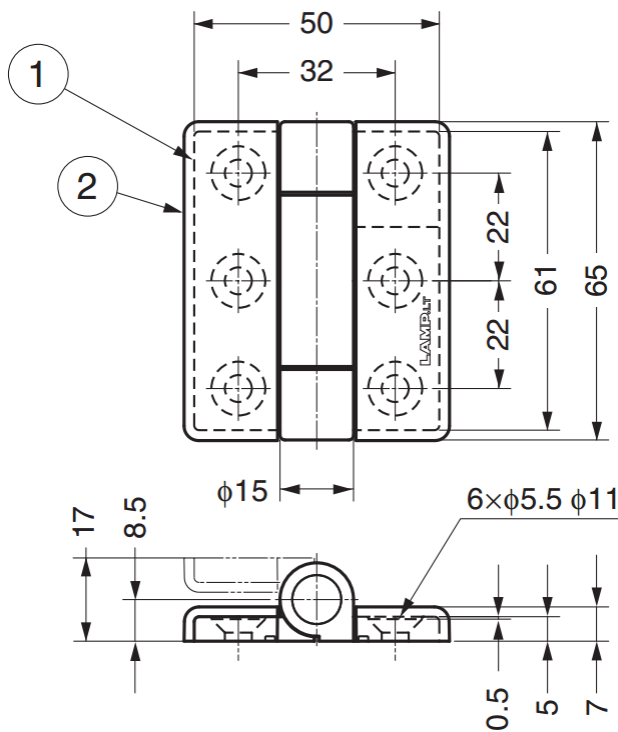
### Features

- Hinge with friction torque holds lid / door in desired position
- Can be used for horizontal applications
- Plastic cover provided for clean appearance

### Notes

- Recommended to be used in pairs

No.	Part Name	Material	Finish
①	Body	Zinc Alloy (ZDC)	Satin Chrome, Chrome
②	Cover	ABS	Satin Chrome, Chrome



Part No.	Finish	Torque (per piece)	
GSK-T-ZA-1SCR	Satin Chrome	2.94 ±15% N.m	30 ±15% kgf.cm
GSK-T-ZA-2SCR		1.96 ±15% N.m	20 ±15% kgf.cm
GSK-T-ZA-3SCR		1.47 ±15% N.m	15 ±15% kgf.cm
GSK-T-ZA-1CR	Chrome	2.94 ±15% N.m	30 ±15% kgf.cm
GSK-T-ZA-2CR		1.96 ±15% N.m	20 ±15% kgf.cm
GSK-T-ZA-3CR		1.47 ±15% N.m	15 ±15% kgf.cm